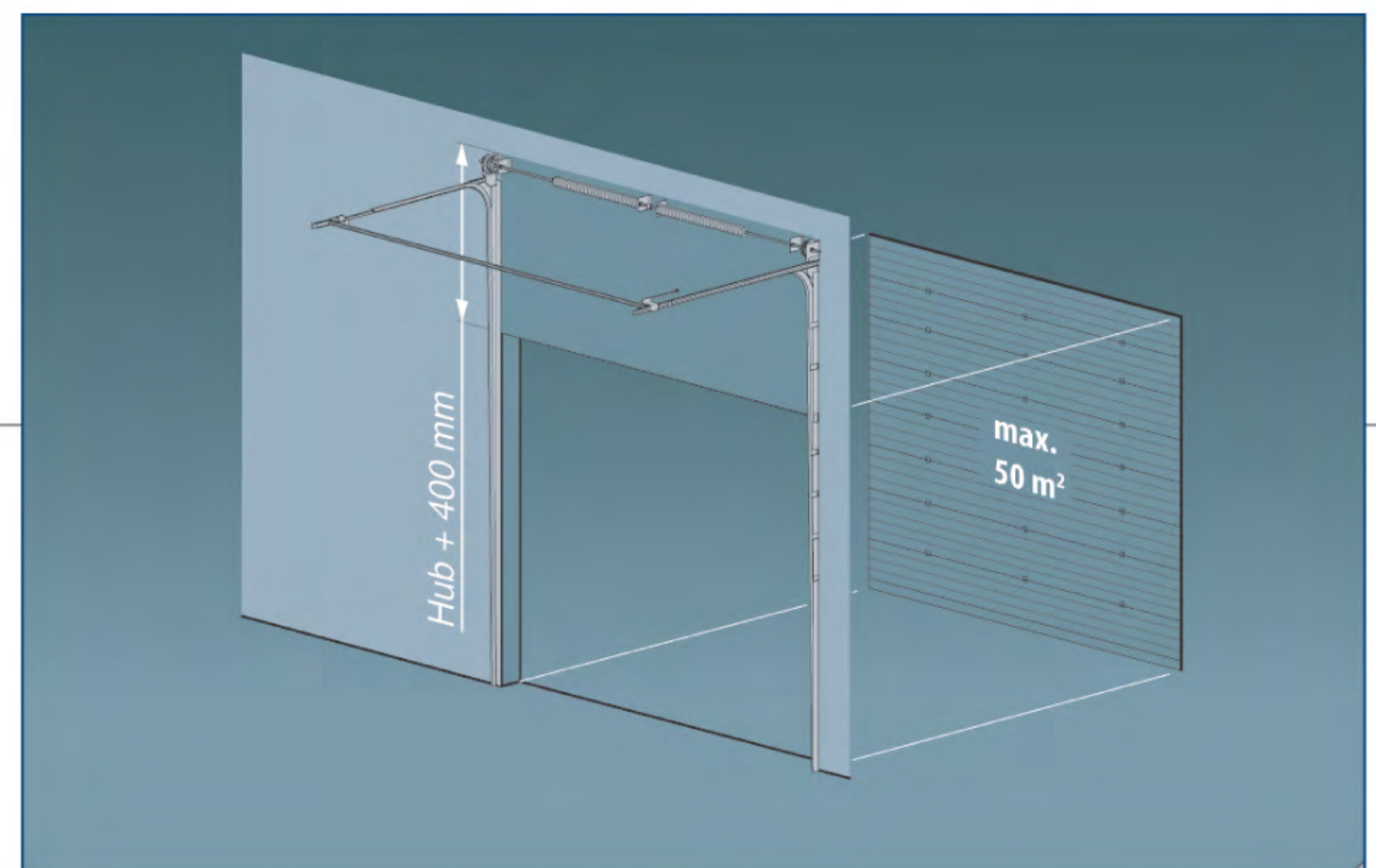
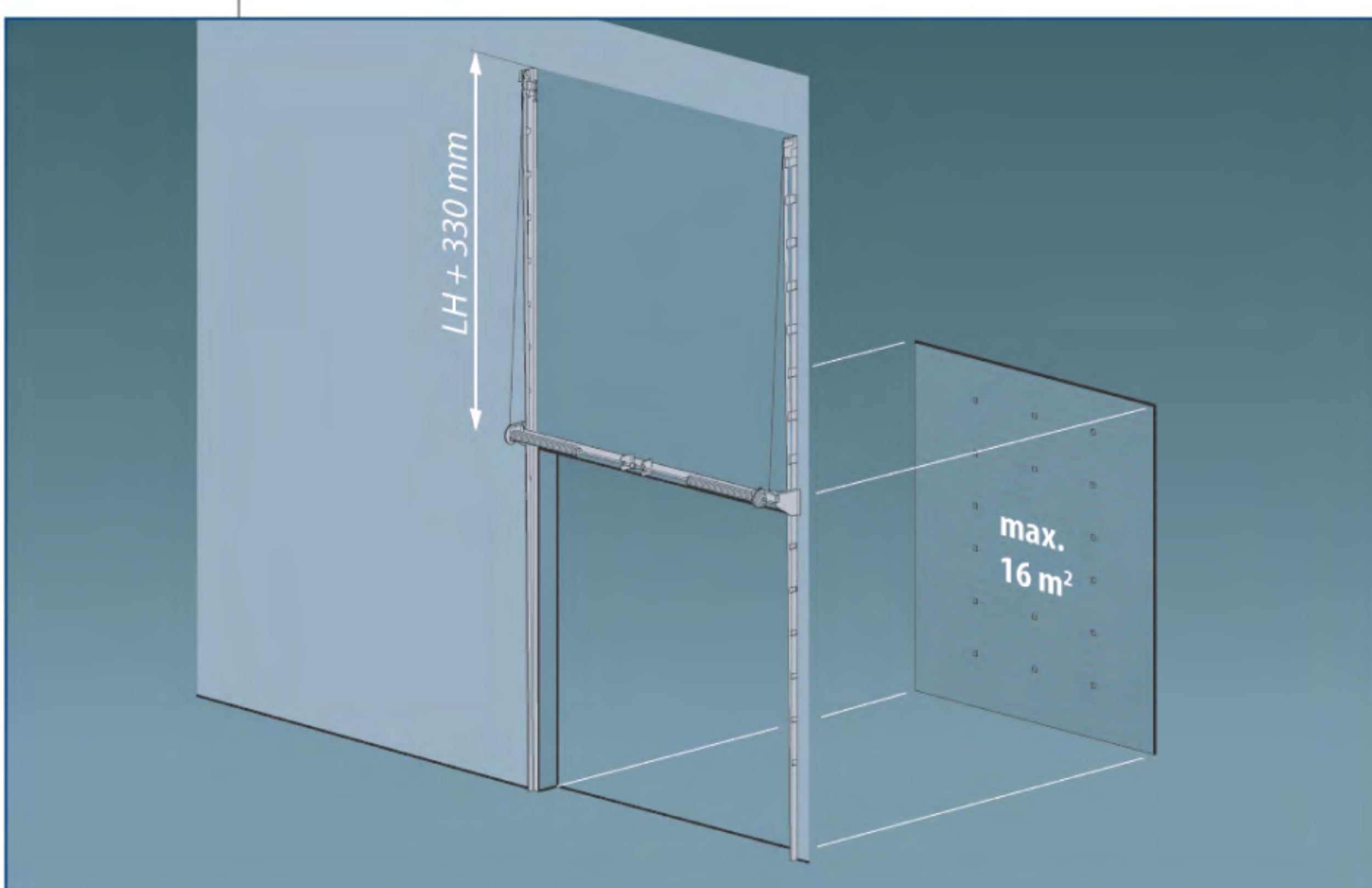




KEY DATA

- Panel **U-value: 0.40 W/m²K**
- Vertical Lift or Horizontal Deflection doors
- 30,000 cycle springs
- Application range 0°C to +95°C
- Options; pedestrian doors, windows, colours, 60,000 cycle springs...
- Manufactured with **high quality European materials** and components.



TECHNICAL SPECIFICATIONS

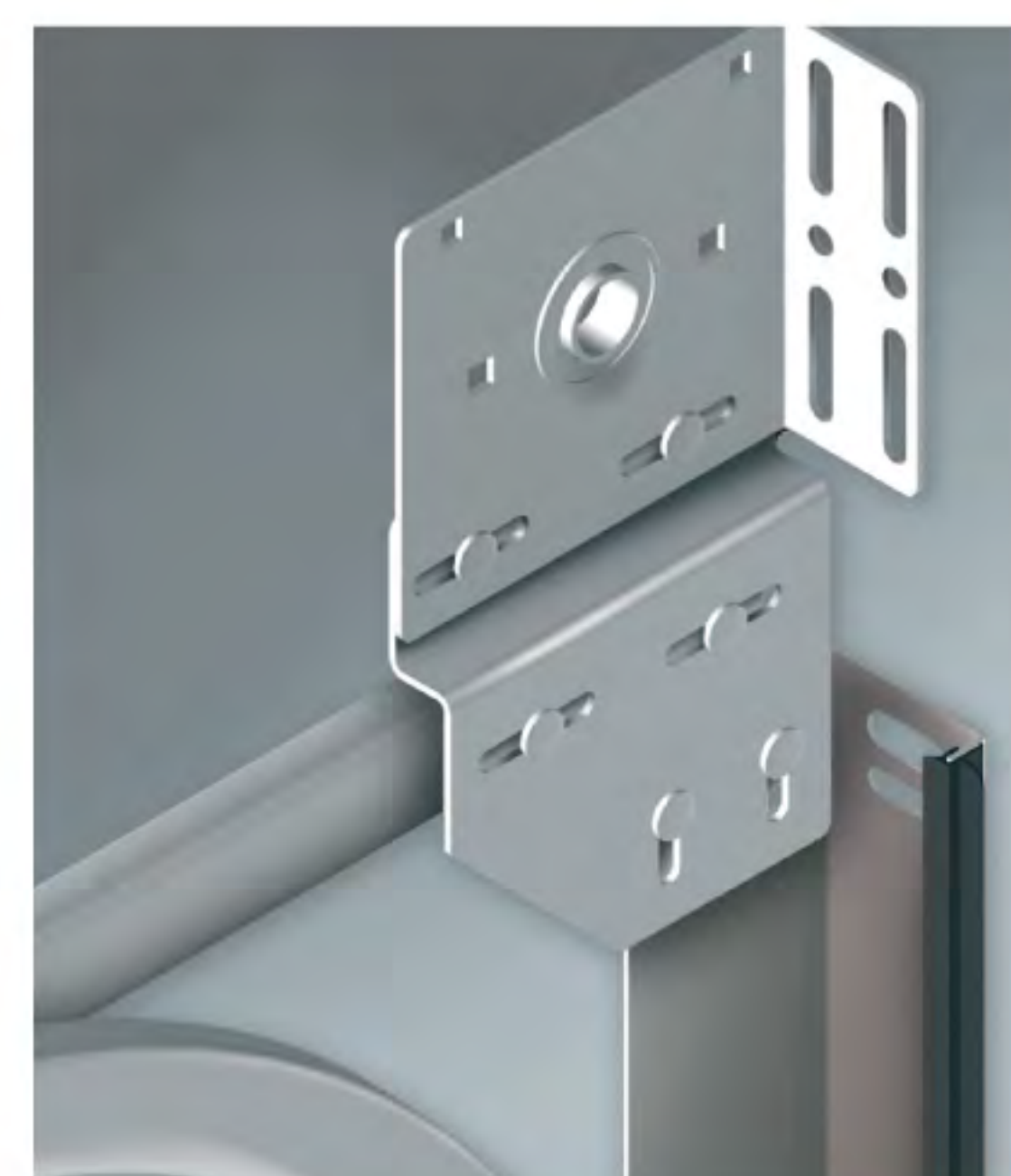
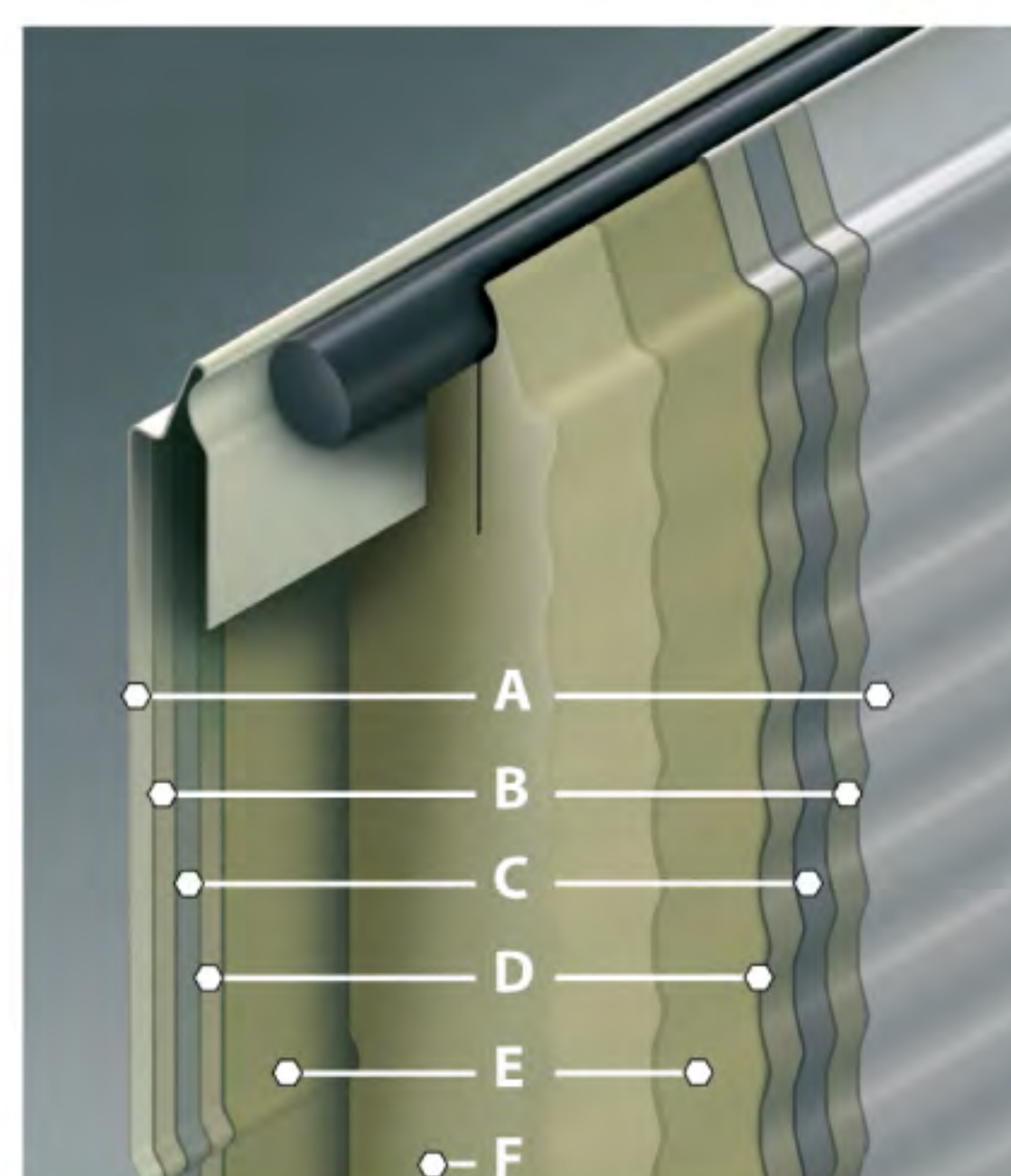
- Panel thickness 42 mm
- Resistance to wind load (EN 12424) Class 4
- Resistance to water ingress (EN 12425) Class 3
- Air permeability (EN 12426) Class 3

INSULATING OVERHEAD SECTIONAL DOOR

- Opening speed from 0.4 to 0.8 m/s
- Closing speed of 0.5 m/s
- Self-supporting, heavy-duty galvanised side frames (stainless steel V2A optional).

DOOR PANEL

- Core made with **41 mm polyurethane** (CFC-free).
- Door panel made of thin sheet, galvanised on both sides and plastic coated.
- Consists of several segments, which are joined and sealed by tongue and groove joints with lateral clamping fixtures.
- Plastic friction bearings facilitate low friction operation.



PANEL SPECIFICATIONS

- Zinc galvanised coating 275 gm/m², 25 µm polurethane coating
- Sheet steel 0.5 mm
- 41 mm thick high-density PU foam core (CFC-/HCFC-free)
- Standard colour RAL 9002 grey-white
- Optional special colours according to RAL
- Optional double glazed windows or viewing panels